

● Part Number Guide

T-M-FF.FFFM-PBW-Pole-S

T(Type 型号): F=UM-1 Filter

M(Mode of Operation 振荡模式): F=Fundamental T=Third Overtone, etc

F(Frequency 标称频率): Normal - 5 digitals of Frequency, e.g. 10.0000M

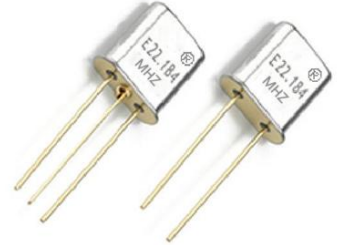
Special - All digitals of Frequency, e.g. 13.225625M

PBW(Pass Band with 通常宽度): 08=±3.75KHz 15=±7.50KHz 09=±4.50KHz

20=±10.00KHz 12=±6.00KHz 30=±15.00KHz

Pole(极点): A=2 Poles B=4 Poles

S(Special Requirement 特殊要求)

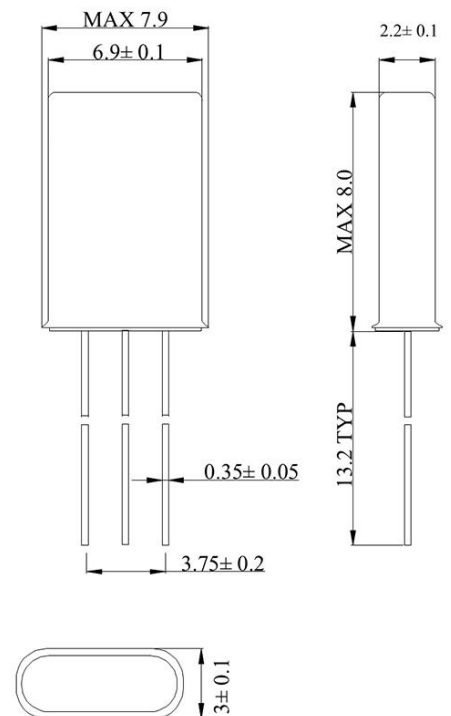


● Electrical Specifications 电气参数

型号	Holder Type	UM-1 Filter
标称频率	Nominal Frequency	10.7MHz 16.9MHz 21.4MHz 21.6MHz 21.7MHz 44.85MHz 45MHz
通带宽度	Pass Band With	±3.75KHz ±4.50KHz ±6.00KHz ±7.50KHz ±10.00KHz ±15.00KHz (-3db)
阻带宽度	Stop Band With	Determined by customer
带内波动	Ripple	0.5db 1.0db
插入损耗	Insertion Loss	1.0db 2.0db
终端阻抗	Terminal Impedance	Determined by customer
工作温度范围	Operating Temperature	-20℃~+70℃
极点	Pole	2Poles/4Poles

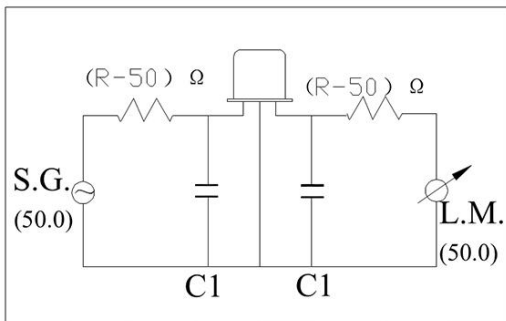
● Mechanical Dimensions 外型尺寸

UNIT(单位): mm (毫米)

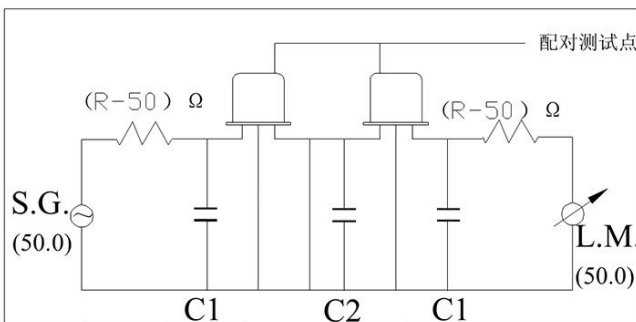


• Test Circuit 测试电路

• Test Circuit (2 Poles) 测试电路(2引脚)



• Test Circuit (4 Poles) 测试电路(4引脚)



• Reflow Condition 回流焊条件

