

## ●Part Number Guide

T-V-S-FF.FFFM-FS -OT -OP-TU-S

T(Type 型号): VC=HALF SIZE (8PIN) VCXO

V(Input Voltage 输入电压): 3.3=3.3V 5=5.0V,etc

S(Symmetry 占空比): 5=45/55max 6=40/60 max

F(Frequency 标称频率):27.000MHz

FS(Frequency Stability 频率稳定性): 10=±10ppm, etc

OT(Operating Temperature 工作温度):A=-20°C to +70°C B=-55°C to +125°C, etc

OP(Out put 输出):1=15PF TTL 2=15PF CMOS 3=50PF CMOS

TU(Tube 摆管)

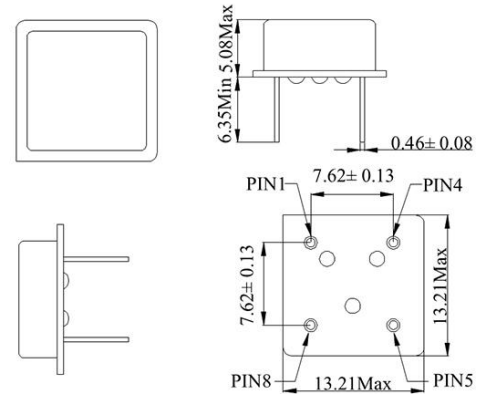
S(Special Requirement 特殊要求)



## ●Electrical Specifications 电气参数

型号	Holder Type	HALF SIZE VCXO
频率范围	Frequency Range	1.544MHz to 50.000MHz
频率偏差	Initial Frequency Tolerance @25°C	±25.0ppm
频率稳定度	Frequency Stability	±10.0ppm
老化率	Aging 1 Year	±3.0ppm
输入电压	Input Voltage	5.0±10% V
输入电流	Input Current	25mA Max
占空比	Symmetry (Duty Cycle)	40 - 60
上升时间	Rise Time	9max nS
下降时间	Fall Time	8max nS
高电平	Logic "1" Level	2.4Min V
低电平	Logic "0" Level	0.4Max V
开始时间	Output Type	20Max ms
控制电压	Control Voltage	0.5 - 4.5 V
相位噪声	Phase Noise (Typical) dBc/Hz	<u>10Hz 100Hz 1KHz 10KHz 100KHz</u> -70 -95 -120 -145 -150

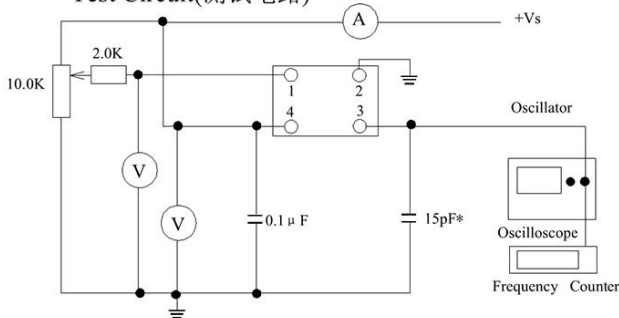
## • Mechanical Dimensions 外型尺寸 UNIT(单位) : mm (毫米)



### Pin Connection

PIN	FUNCTION
1	N/C Tri-state
4	Ground
5	Output
8	Vdd

### • Test Circuit(测试电路)



### • Reflow Condition 回流焊条件

